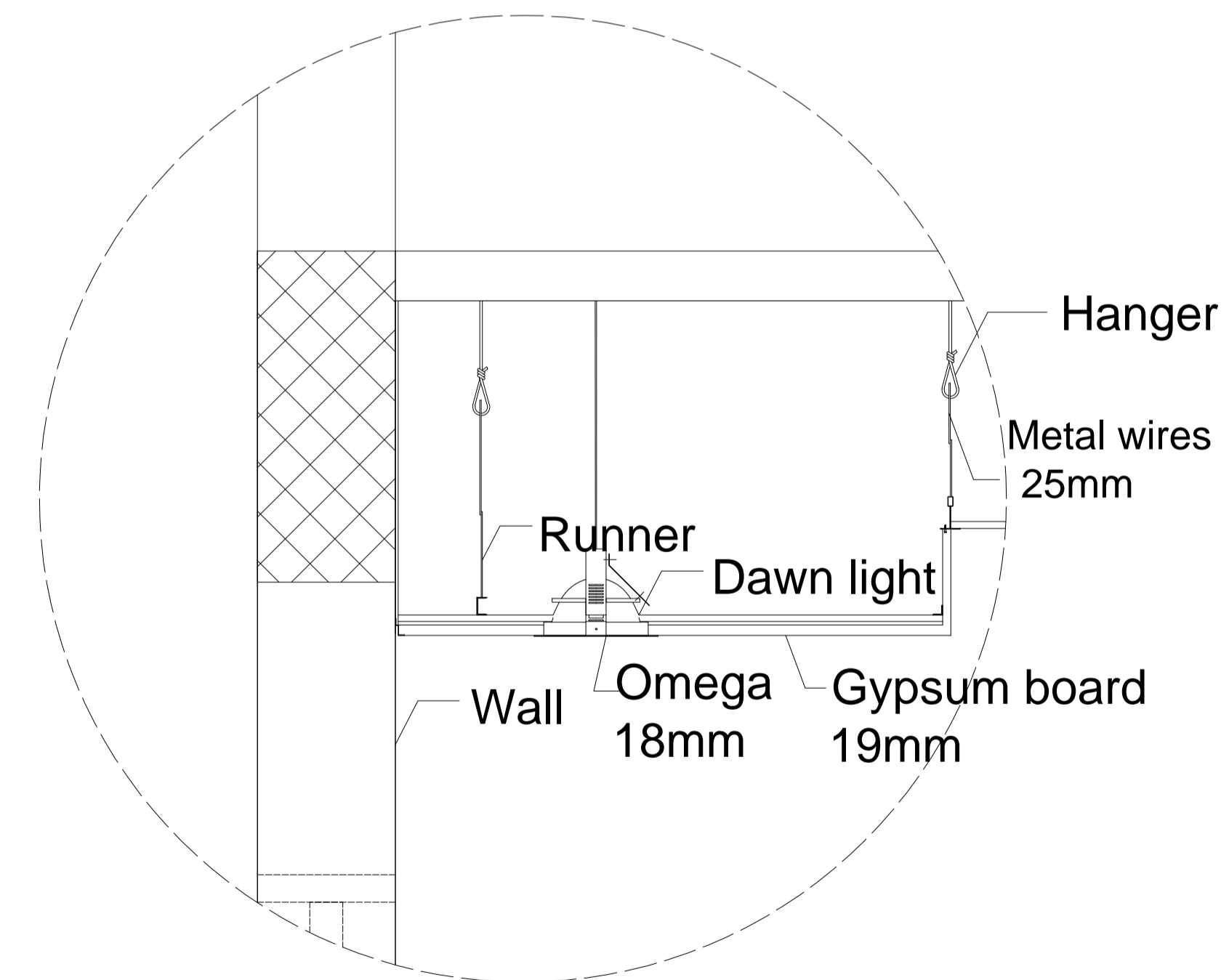
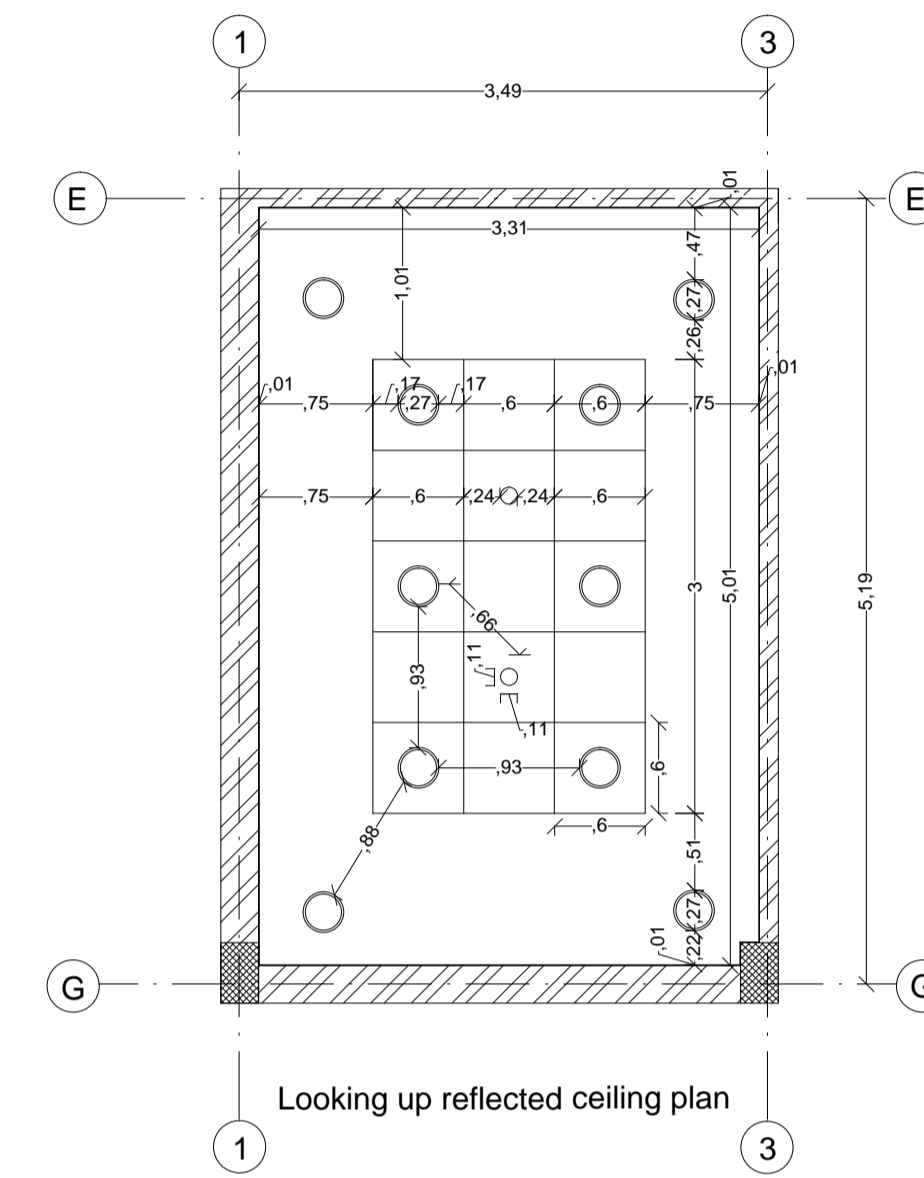
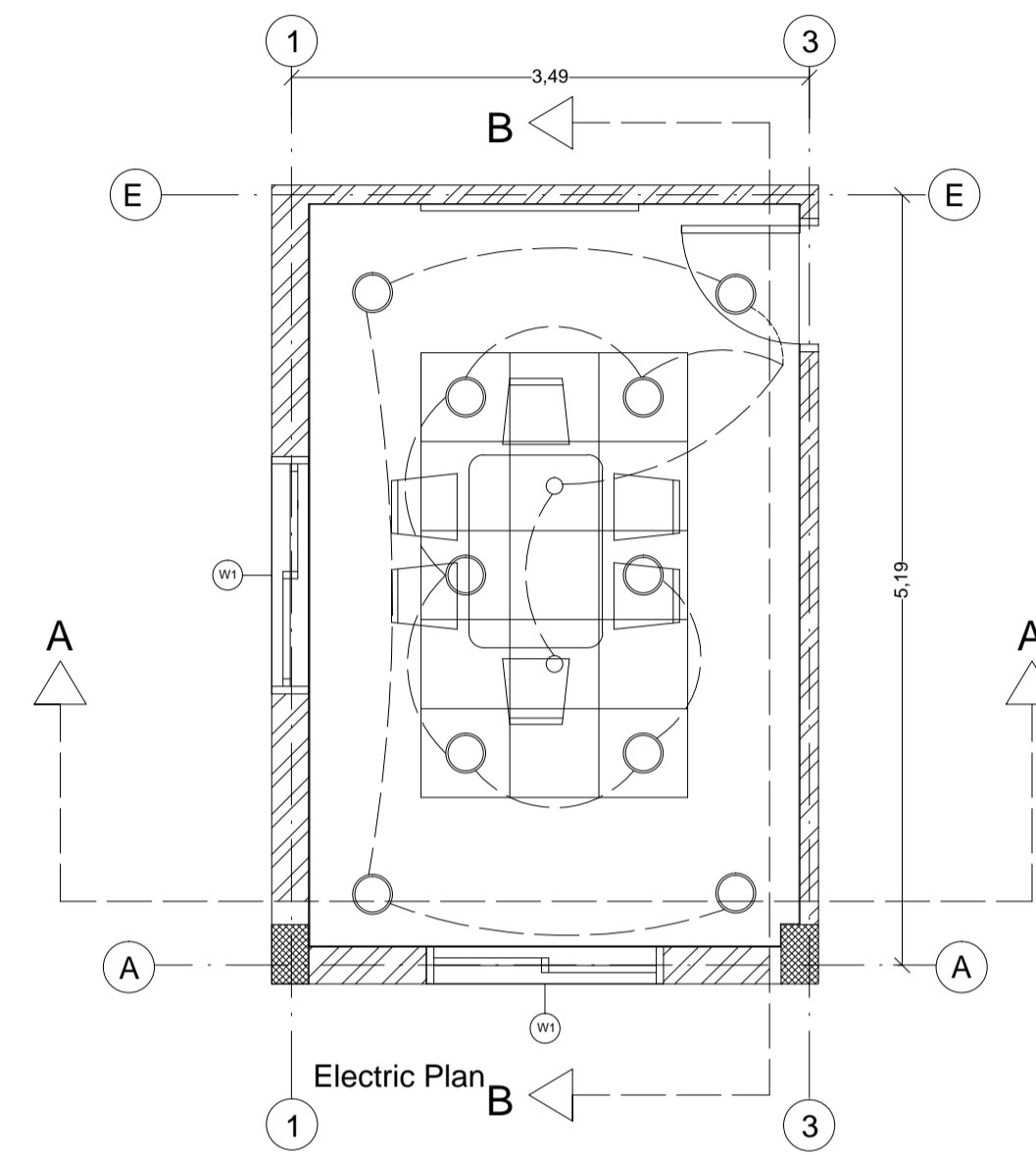
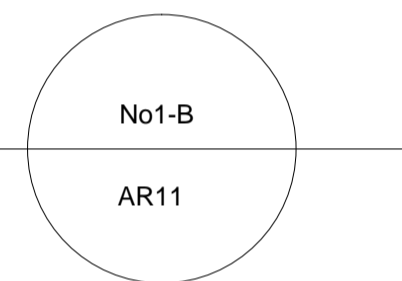
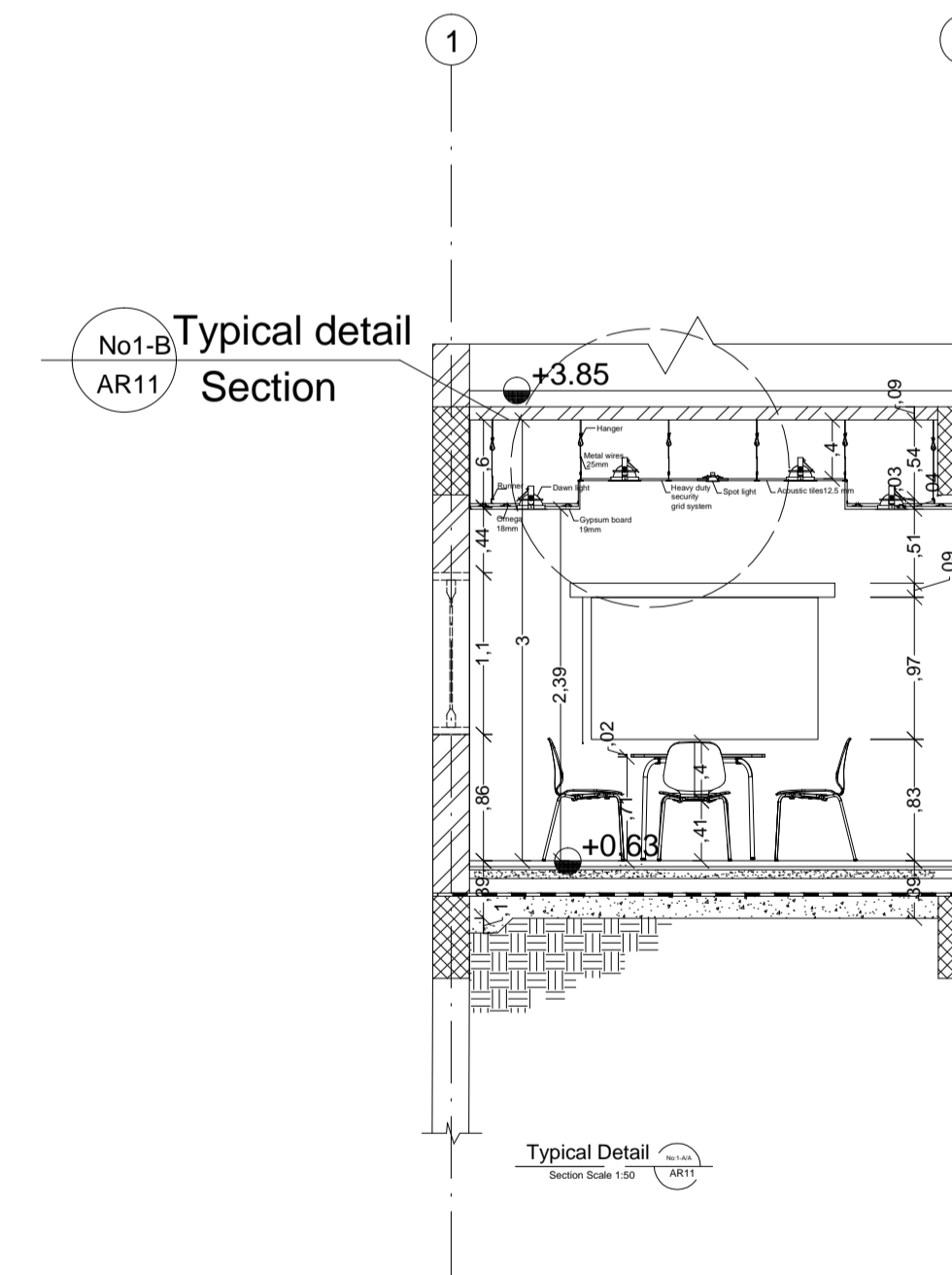
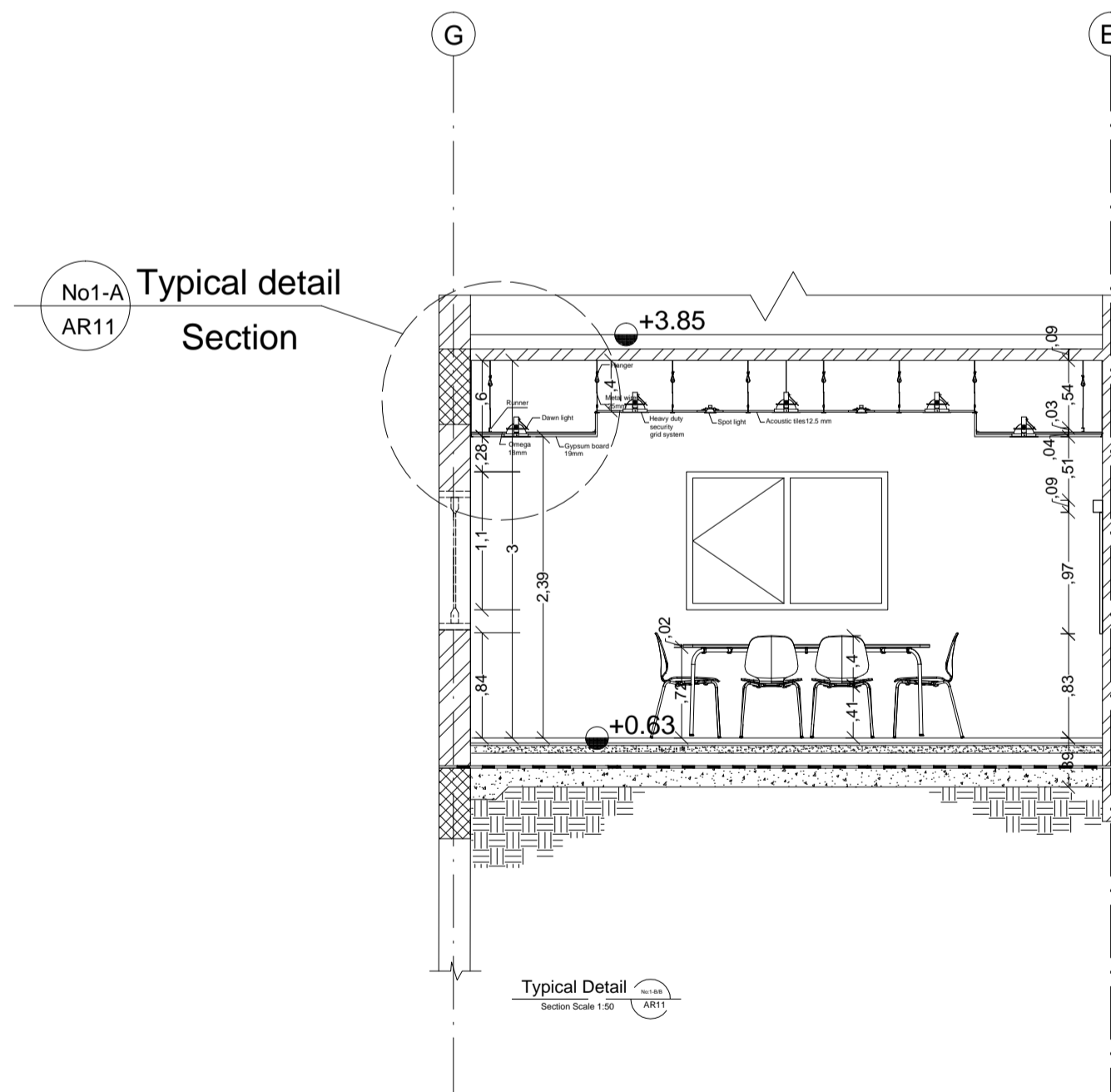
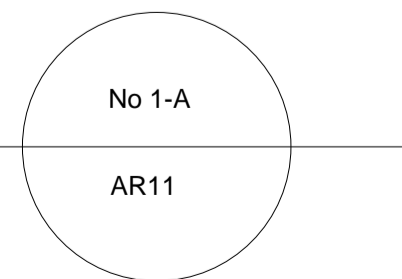


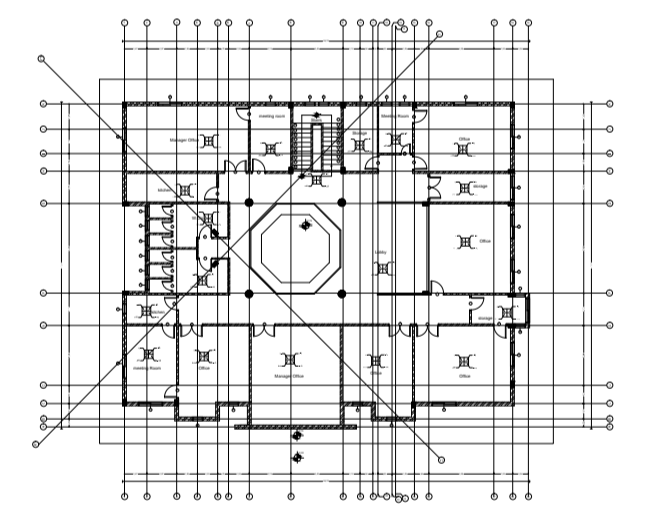
Typical detail
Section Scale 1:10



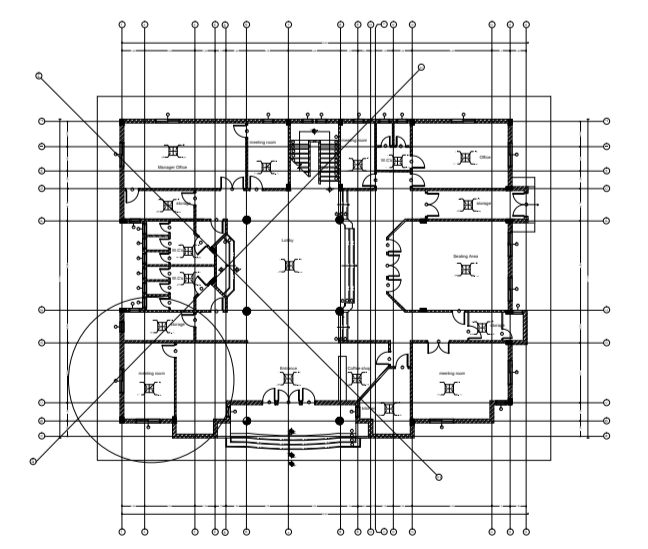
Typical detail
Section Scale 1:10



No	Symbol	Name
1		Panel board (Surface)
2		Panel board (Surface)
3		Generator
4		Motor
5		Single pole - one way switch
6		double pole -2 way switch
7		Triple pole pole - 3 way switch
8		Dimmer
9		Double outlet receptacle
10		Split - wired outlet receptacle
11		double - outlet water proof - (outside)
12		Ground Outlet Receptacle
13		Recede (Lighting fixture in False ceiling - (couvre)
14		Lighting fixture (wall mounted)
15		lighting fixture (fluorescent) with 1 lamp
16		Spot light
17		Fan
18		telephone Caple
19		T.V Caplet
20		Dawn light



First Floor Plan



Ground Floor Plan

PSU	
ID 353	Working Drawing 2
Sheet no : 10	Scale 1:50 -1:10
AR11 Furniture Installation Plan	Office Building
Rawan To'me Abed	ID:211410402
Submitted to : Dr. Mawa Fahmi	