

Wall	
1	Paint Matt latex emulsion paint, beige color, A, three coat
2	Marble Oven Quarry China Gold Vein, A, 1.2 m x 2.4 m x 0.025 m White Marble Stone, beige color
3	Ceramic Porcelain Tile, beige color, A, 0.6 m x 0.6 m x 0.012 m

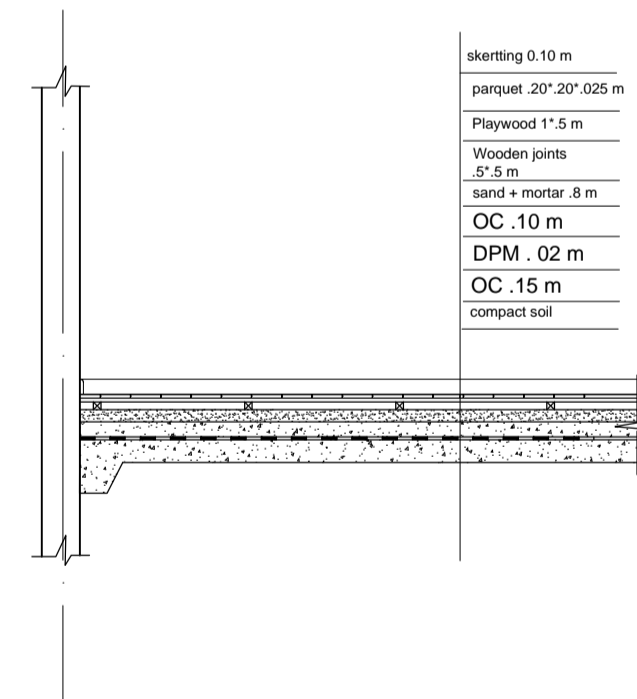
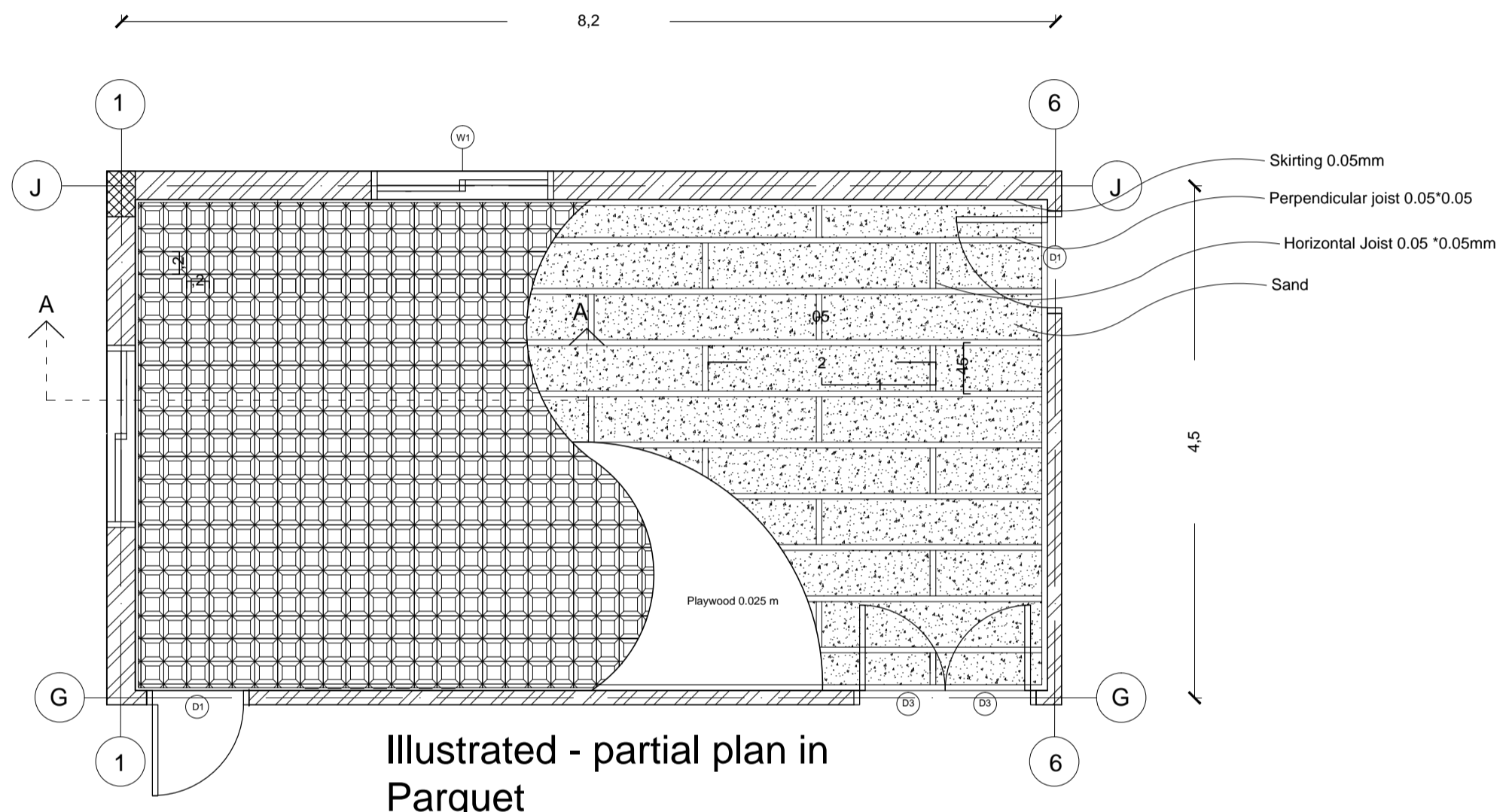
Skirting	
1	Ceramic Tile, beige color, A, 1 m x 0.025 m
2	Marble Oven Quarry China Gold Vein, beige color, A, 1.5 m x 0.025 m
3	Swedish Wood Laminated Swedish Wooden Strips, light gray color, A, 1.5 m x 0.025 m
4	Parquet Laminated Parquet, light gray color, A, 1.5 m x 0.025 m

Ceiling	
1	Steel Steel Head CENTURY TILES, White color, A, 0.6 m x 0.6 m x 0.012 m
2	Gypsum Board Gypsum board, PVC film coated, white color, A, 0.6 m x 0.6 m x 0.012 m
3	Acoustic Smooth Pro Lay-in, 0.012 m thick, B, Offwhite color

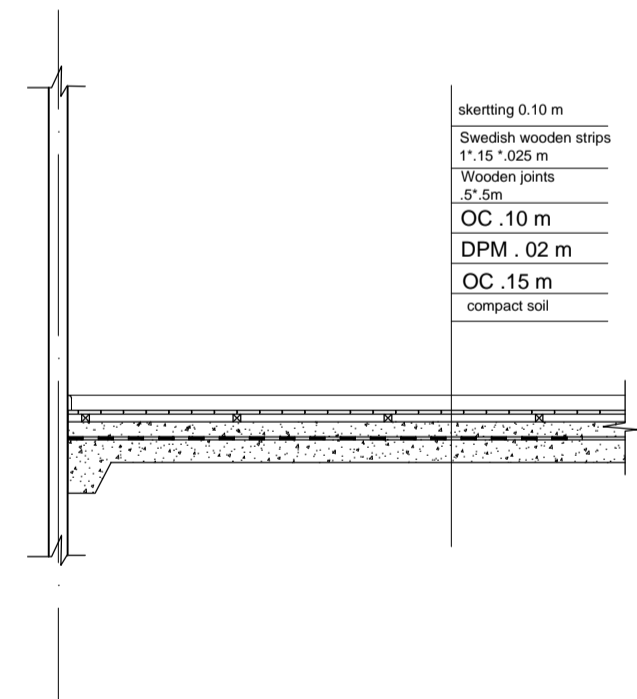
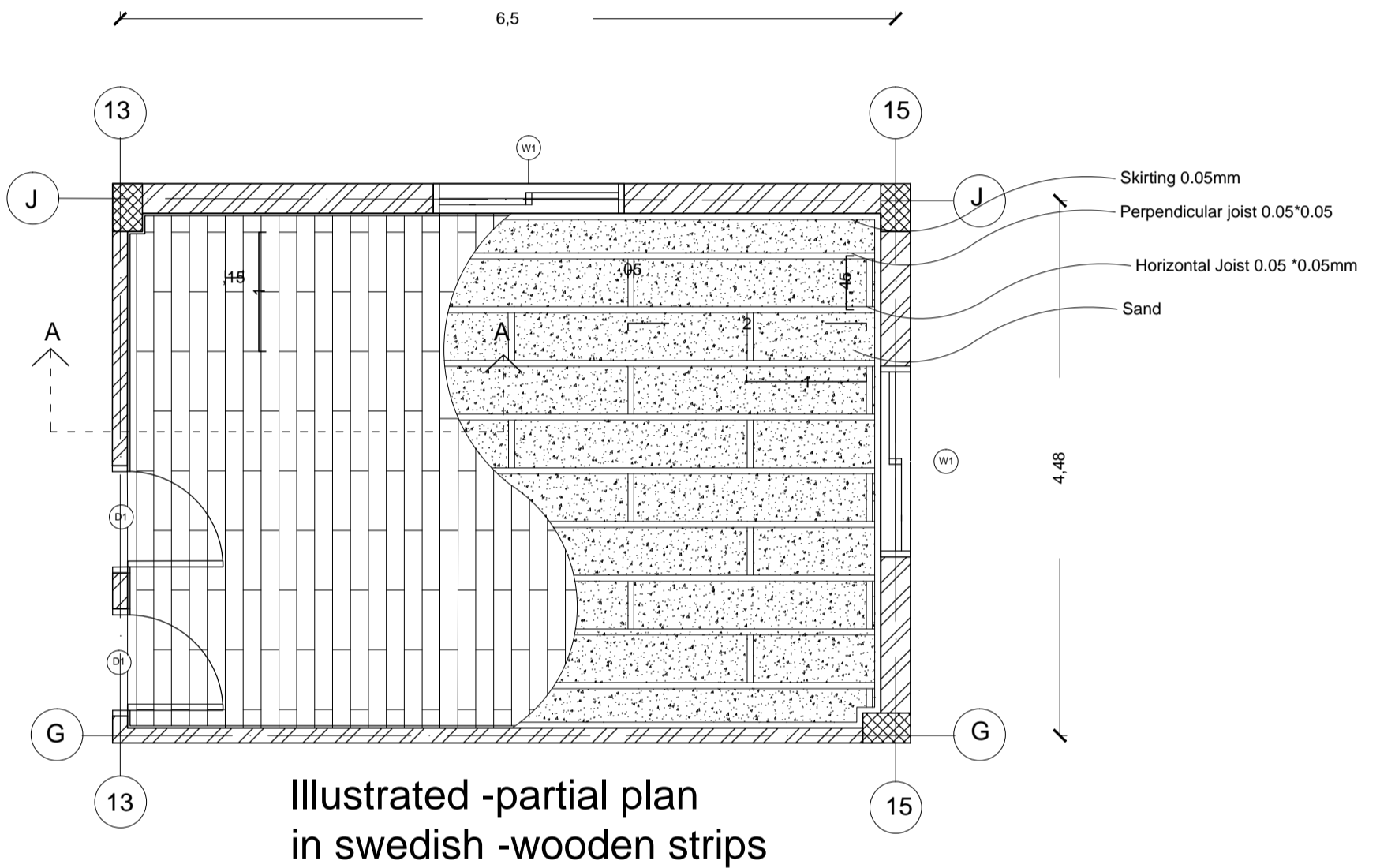
Flooring	
1	Ceramic Tile, beige color, B, 0.6 m x 0.6 m x 0.012 m
2	Marble Oven Quarry China Gold Vein, white + 2.4 m x 0.025 m Marble Stone, beige color, A, 1.2 m
3	Swedish Wood Laminated Swedish Wooden Strips, light gray color, A, 1.5 m x 0.025 m
4	Parquet Laminated Parquet, light gray color, A, 0.5 m x 1.5 m x 0.025 m

Doors Schedule					
SW	Dimension	Type	Material	Finish	Remarks
1	9' 2.2	Parquet	0.25	118	Characteristics of 118 are: 1. Floor finish is Parquet
2	7' 2.2	Parquet	0.15	118	Characteristics of 118 are: 1. Floor finish is Parquet
3	1.5' 2.2	Parquet	0.3	118	Characteristics of 118 are: 1. Floor finish is Parquet

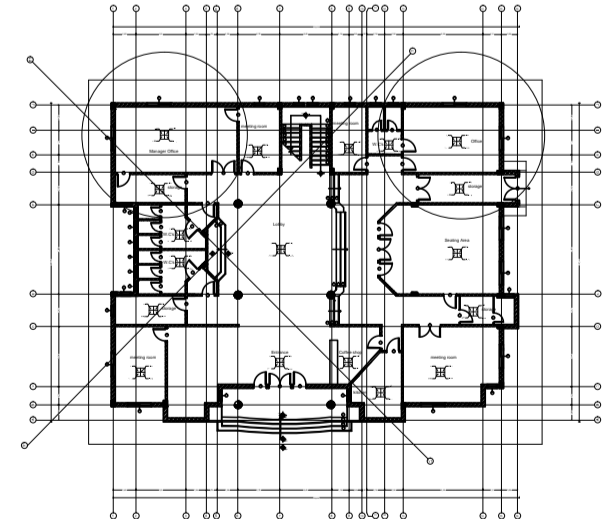
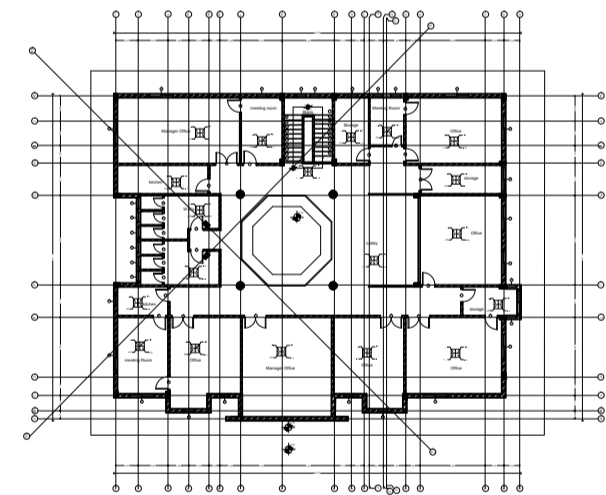
Windows Schedule				
SW	Dimension	Type	Material	Remarks
1	12' 1.6	0.7	0.9	Special window
2	19' 0.7	0.7	2	Special window



- skirting 0.10 m
- parquet 20' 20' 025 m
- Playwood 1.5 m
- Wooden joists 2' 5 m
- sand + mortar 0.8 m
- OC .10 m
- DPM .02 m
- OC .15 m
- compact soil



- skirting 0.10 m
- Swedish wooden strips 1' 15' 025 m
- Wooden joists 2' 5 m
- OC .10 m
- DPM .02 m
- OC .15 m
- compact soil



PSU	
Working Drawing 2	
Sheet no : 3	Scale 1:50
Floor Finish Detail A507 Swedish Wood Floor Finish Detail A508 Parquet	Office Building
Rawan To'ime Abed	ID:211410402
Submitted to : Dr. Mawa Fahmi	