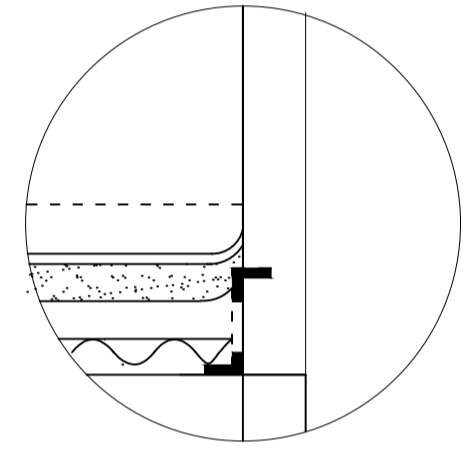
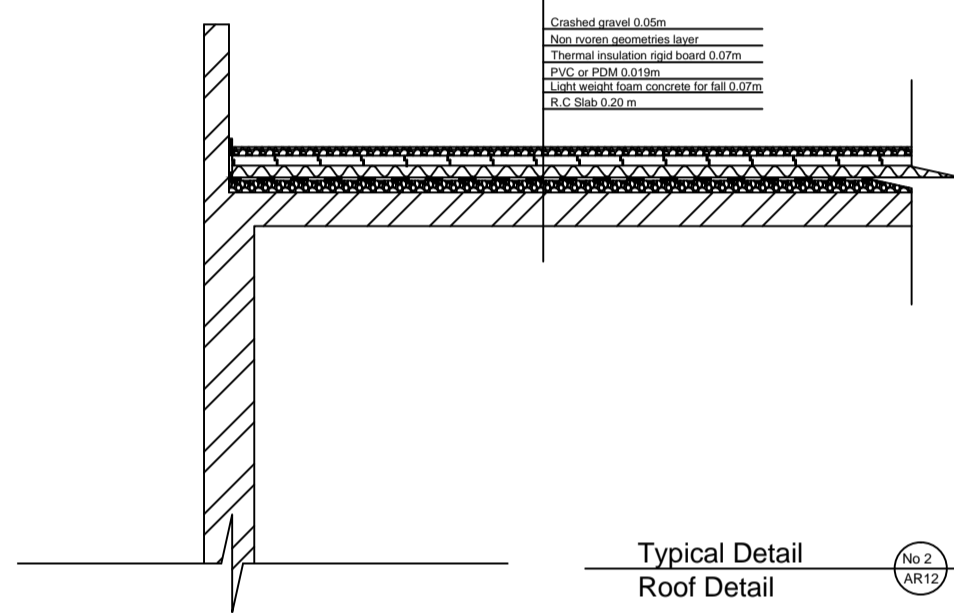


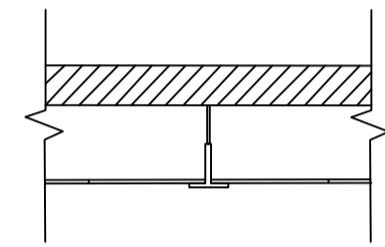
Typical Detail
Wall Partition Section
No. 1
AR12



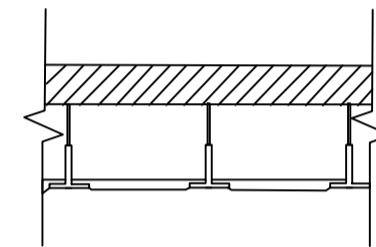
Typical Detail
Roof Detail
No. 9
AR12



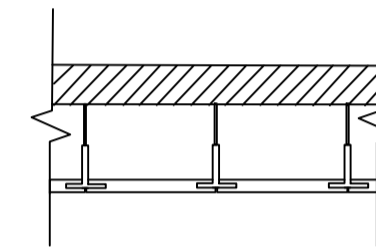
Typical Detail
Roof Detail
No. 2
AR12



Case one

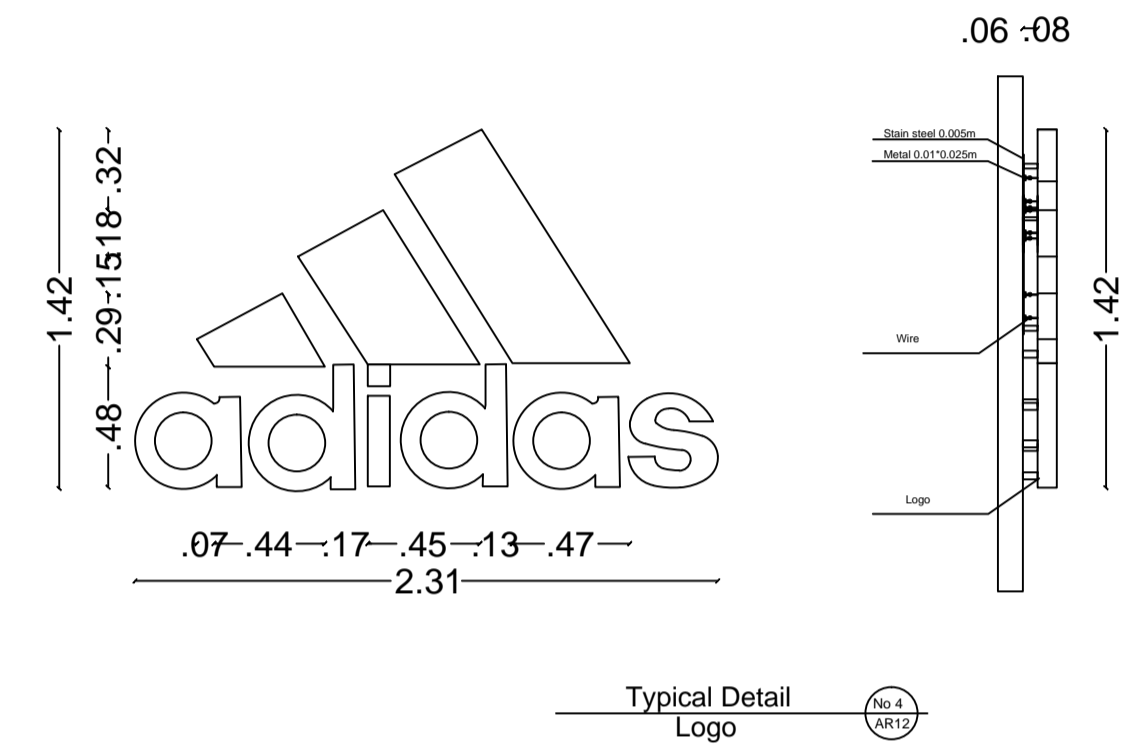


Case Two

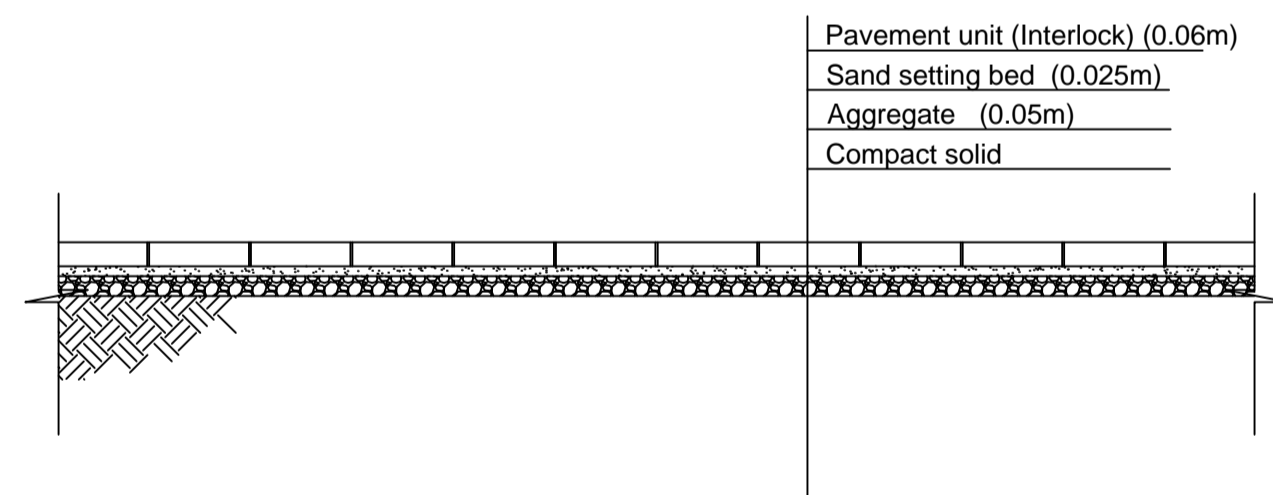


Case Three

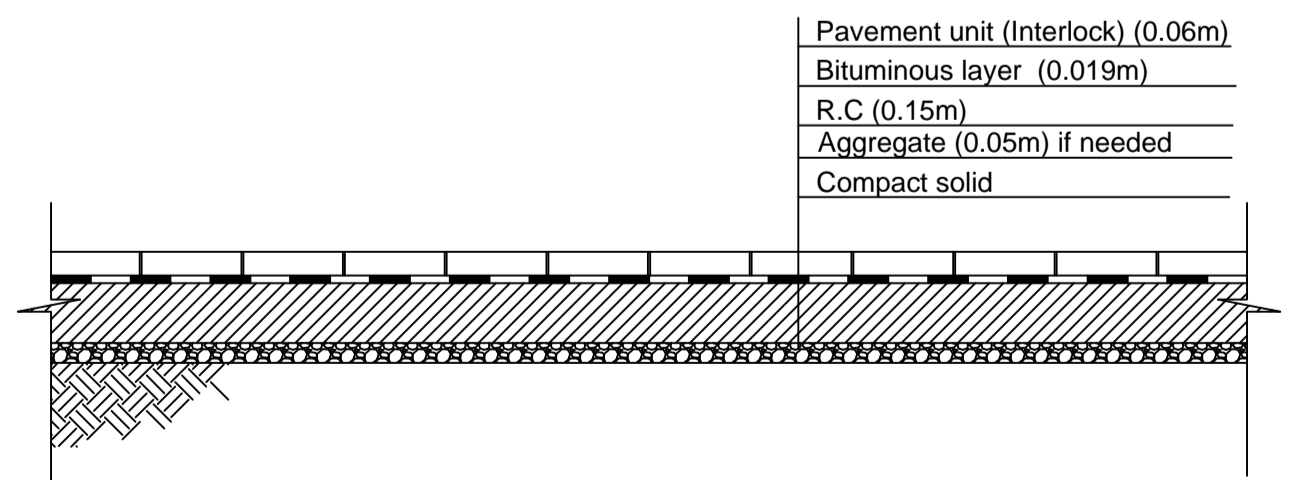
Typical Detail
Suspension System Section
No. 3
AR12



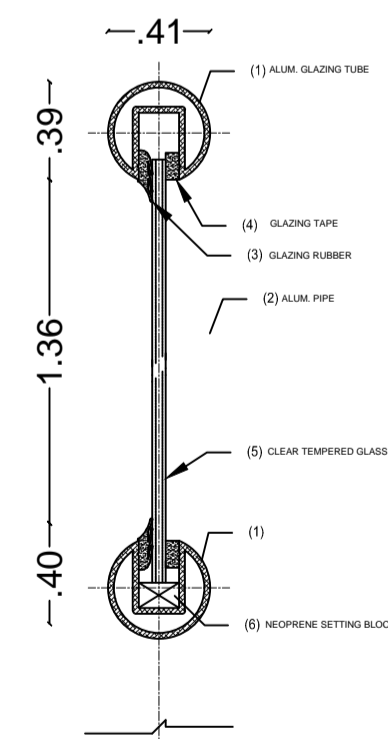
Typical Detail
Logo
No. 4
AR12



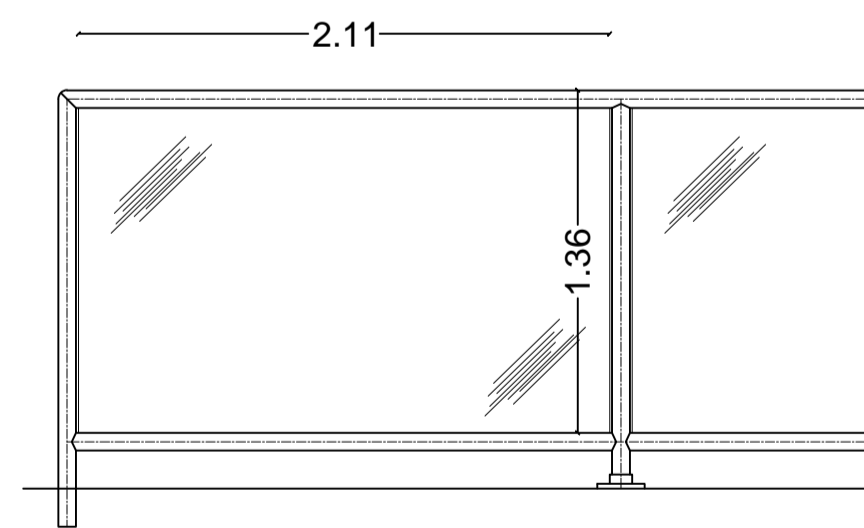
Typical Detail
Flexible Pavement
No. 5
AR12



Typical Detail
Rigid Pavement
No. 6
AR12

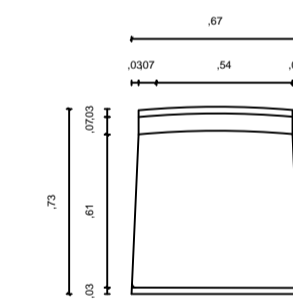


RAILING-SECTION

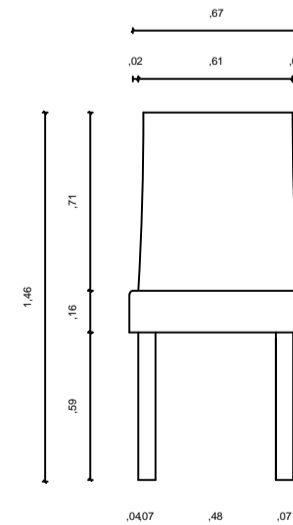


RAILING ELEVATION

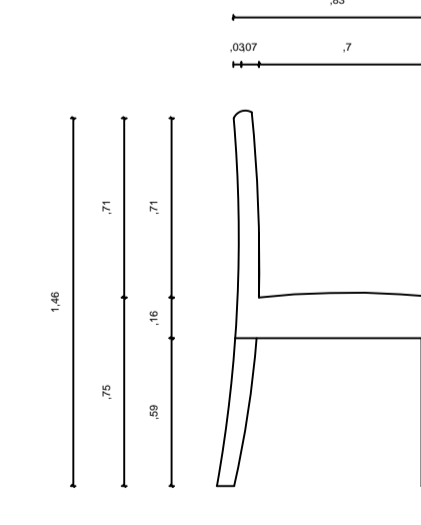
Typical Detail
Railing detail
No. 7
AR12



Top View
Scale 1:20



front view
Scale 1:20



Side View
Scale 1:20

Typical Detail
Furniture
No. 8
AR12

PSU

ID 353 Working Drawing 2

Sheet no : 12 Scale 1:20

AR12 Drawing Details Office Building

Rawan To'me Abed ID:211410402

Submitted to : Dr. Mawa Fahmi